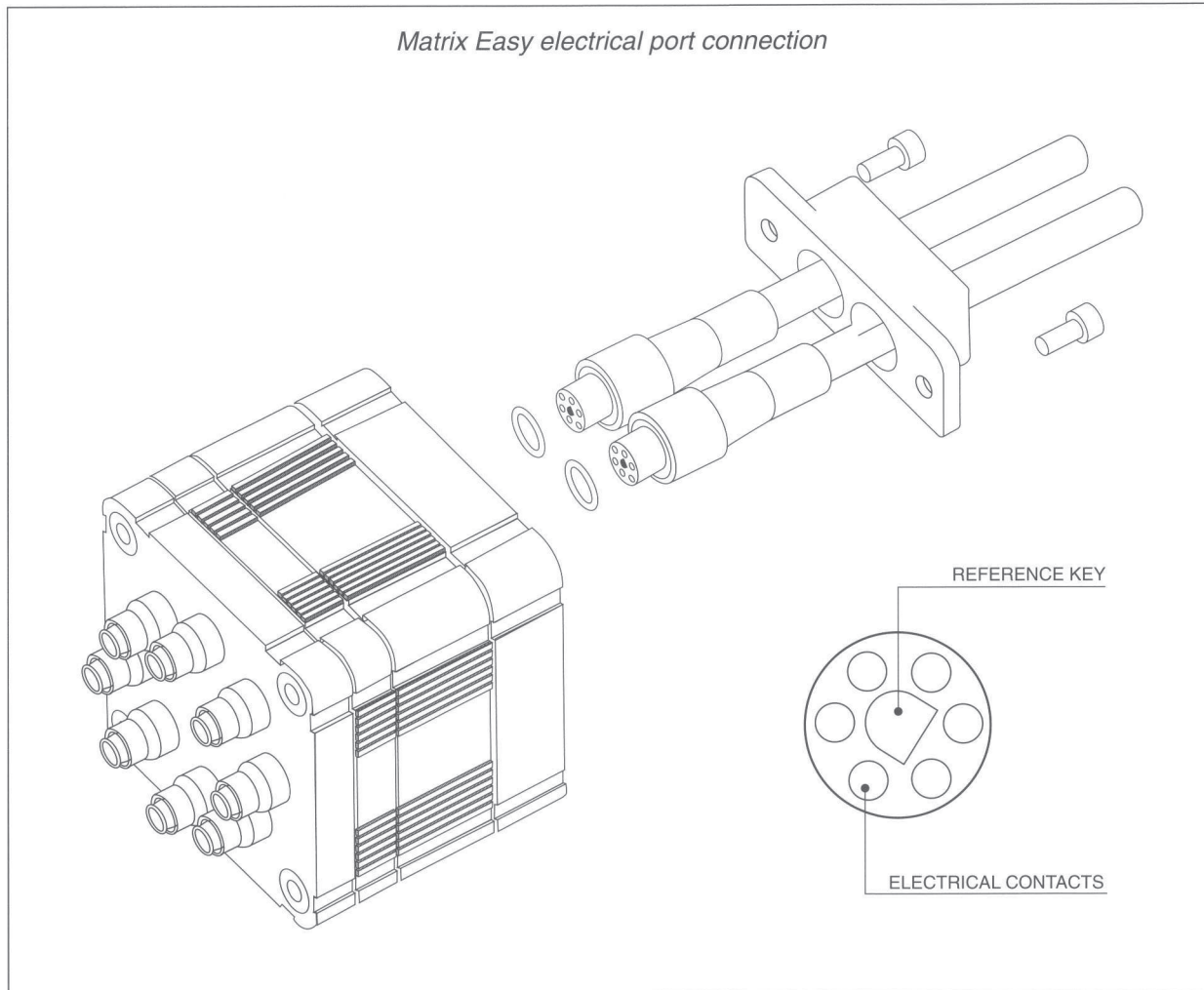


## Matrix Easy electrical port connection - 750 Series

Matrix Easy port connection is suitable to use a wide range of cables which are expressly developed for 750 Series and it allows to obtain different levels of protection according to CEI EN 60947 and CEI 60529 norms.

The port connection also allows a significant simplification of electrical connections, it is consistent with 750 Series manifold and it can interface with expansion modules of this series.



### Models available with Matrix Easy electrical port connection

750 Series models can be equipped with Matrix Easy electrical port connection (6 poles with reference key).

### How to order solenoid valves with Matrix Easy electrical port connection.

**H X 7 5 8 8 E 2 C 3 24**

● **PORT CONNECTION**

**E** Presetting for Easy connection IP 52 - IP 65

# ACCESSORIES

## Matrix Easy electrical port connection - 750 Series

