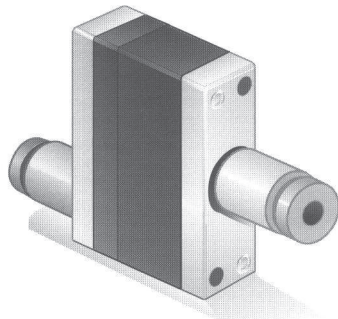


CONTROL:

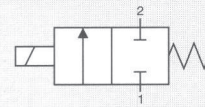
DIRECT

PFM

PWM



N. 1 NC



GENERAL CHARACTERISTICS

FLUID	Non-lubricated dry air, neutral gases(-10 + 50°C)	
FILTRATION RATING	Min 40 micron	
TEMPERATURE	- 10 + 50°C (Standard version)	
RESPONSE TIME IN OPENING	24 < 5 ms	XX / KK < 1 ms
RESPONSE TIME IN CLOSING	24 < 2 ms	XX / KK < 1 ms
MAXIMUM FREQUENCY	200 Hz	500 Hz
WEIGHT	25 g	
PRODUCT LIFE EXPECTANCY	≥ 500 M/s cycles	
IP RATING	IP 62	

IDENTIFICATION CODE

	M	X	8	2	1	1	0	0	C	2	24
--	---	---	---	---	---	---	---	---	---	---	----

● **OUTLETS**

1	1 Outlet
---	----------

● **FLOW RATE (at 6 bar)**

M	100 Nl/min
N	140 Nl/min (control tension XX KK)
O	180 Nl/min (control tension XX KK)

● **VERSION**

	Body ported
D	Manifold

● **No. ELECTRICAL CONTROLS**

1	1 Control
---	-----------

● **PORT CONNECTION**

0	Integrated cables IP 62 L = 500 mm
1	Integrated cables IP 62 L = 100 mm

● **FUNCTION**

C	NC
---	----

● **TYPE**

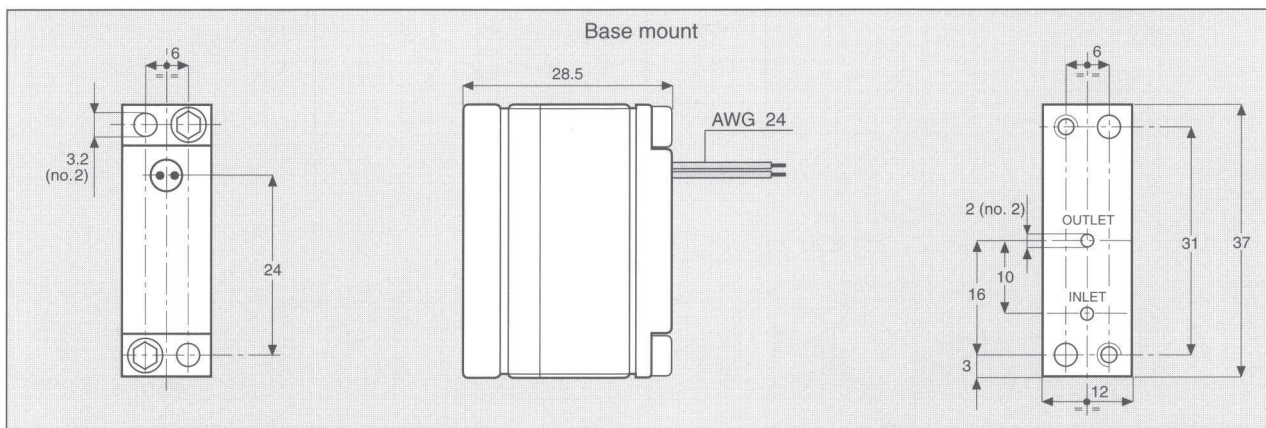
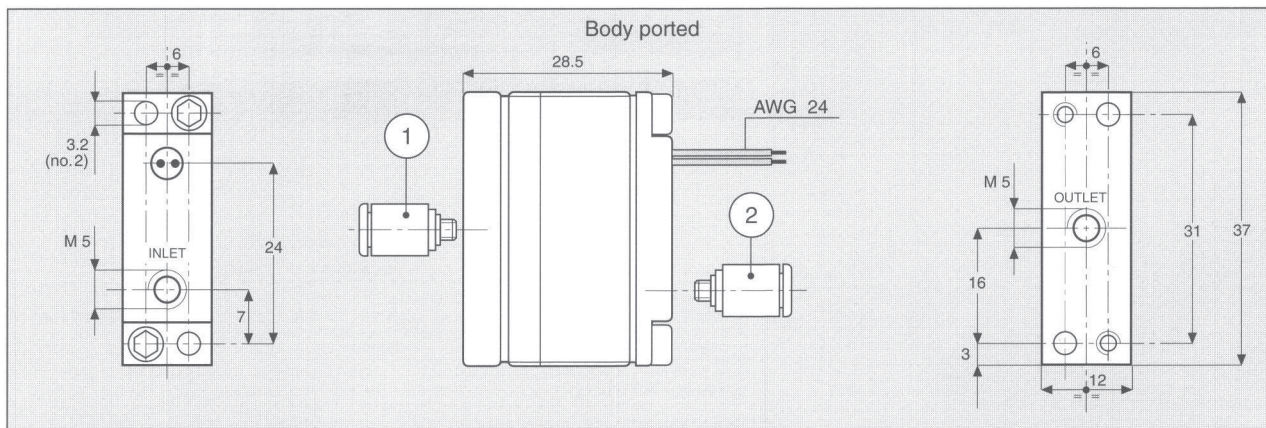
2	2/2
---	-----

● **CONTROL TENSION**

24	24 VDC ± 10 %	2.9 W
XX	Speed-up in current (24 VDC)	1.3 W
KK	Speed-up in tension (24 VDC)	0.8 W

● **OPERATING PRESSURE**

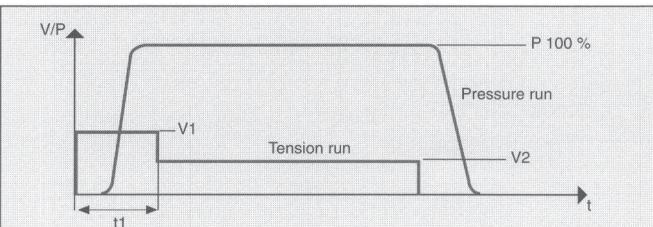
	RANGE	MODELS
0	2 - 8 bar	All
3	0 - 8 bar	M XX / KK
4	0 - 6 bar	All



ACCESSORIES		
Reference	Quantity	Description
1	1	PUSH-IN FITTING Ø 4/6
2	1	PUSH-IN FITTING Ø 4/6

NOTE: Inch size available

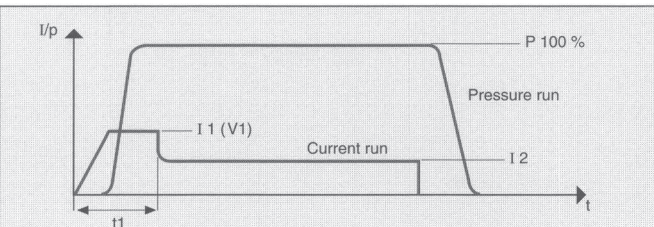
CHARACTERISTICS OF THE ELECTRICAL CONTROL - MODELS KK



N.B. KK MODELS ARE CONTROLLED IN TENSION

M	V 1 = 24 VDC	t 1 = 2.0 ms	V 2 = 5 VDC
N	V 1 = 24 VDC	t 1 = 2.0 ms	V 2 = 5 VDC
O	V 1 = 24 VDC	t 1 = 2.5 ms	V 2 = 5 VDC

CHARACTERISTICS OF THE ELECTRICAL CONTROL - MODELS XX



N.B. XX MODELS ARE CONTROLLED IN CURRENT

M	I 1 = 0.7 A	t 1 = 2 ms	I 2 = 0.3 A
N	I 1 = 0.8 A	t 1 = 2 ms	I 2 = 0.3 A
O	I 1 = 0.9 A	t 1 = 2 ms	I 2 = 0.3 A

FLOW RATE **M**

