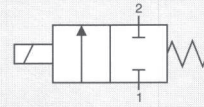


CONTROL: DIRECT PFM PWM

N. 9 NC



GENERAL CHARACTERISTICS

| | | |
|--------------------------|--|----------------|
| FLUID | Non-lubricated dry air, neutral gases (-10 + 50°C) | |
| FILTRATION RATING | Min 40 micron | |
| TEMPERATURE | - 10 + 50°C (Standard version) | |
| RESPONSE TIME IN OPENING | 24 < 5 ms | XX / KK < 1 ms |
| RESPONSE TIME IN CLOSING | 24 < 2 ms | XX / KK < 1 ms |
| MAXIMUM FREQUENCY | 200 Hz | 500 Hz |
| WEIGHT | 210 g | |
| PRODUCT LIFE EXPECTANCY | ≥ 500 M/s cycles | |
| IP RATING | IP 62 | |

IDENTIFICATION CODE

M **X** **8** **5** **9** **9** **0** **0** **C** **2** **24**

• FLOW RATE (at 6 bar)

| | |
|----------|---|
| M | 100 N/ min |
| N | 140 N/ min (control tension XX KK) |
| O | 180 N/ min (control tension XX KK) |

• OUTLETS

9 9 Outlets

• FUNCTION

C NC

• TYPE

2 2/2

• CONTROL TENSION

| | | |
|-----------|------------------------------|-------|
| 24 | 24 VDC ± 10% | 2.9 W |
| XX | Speed-up in current (48 VDC) | 1.3 W |
| KK | Speed-up in tension (24 VDC) | 0.8 W |

• OPERATING PRESSURE

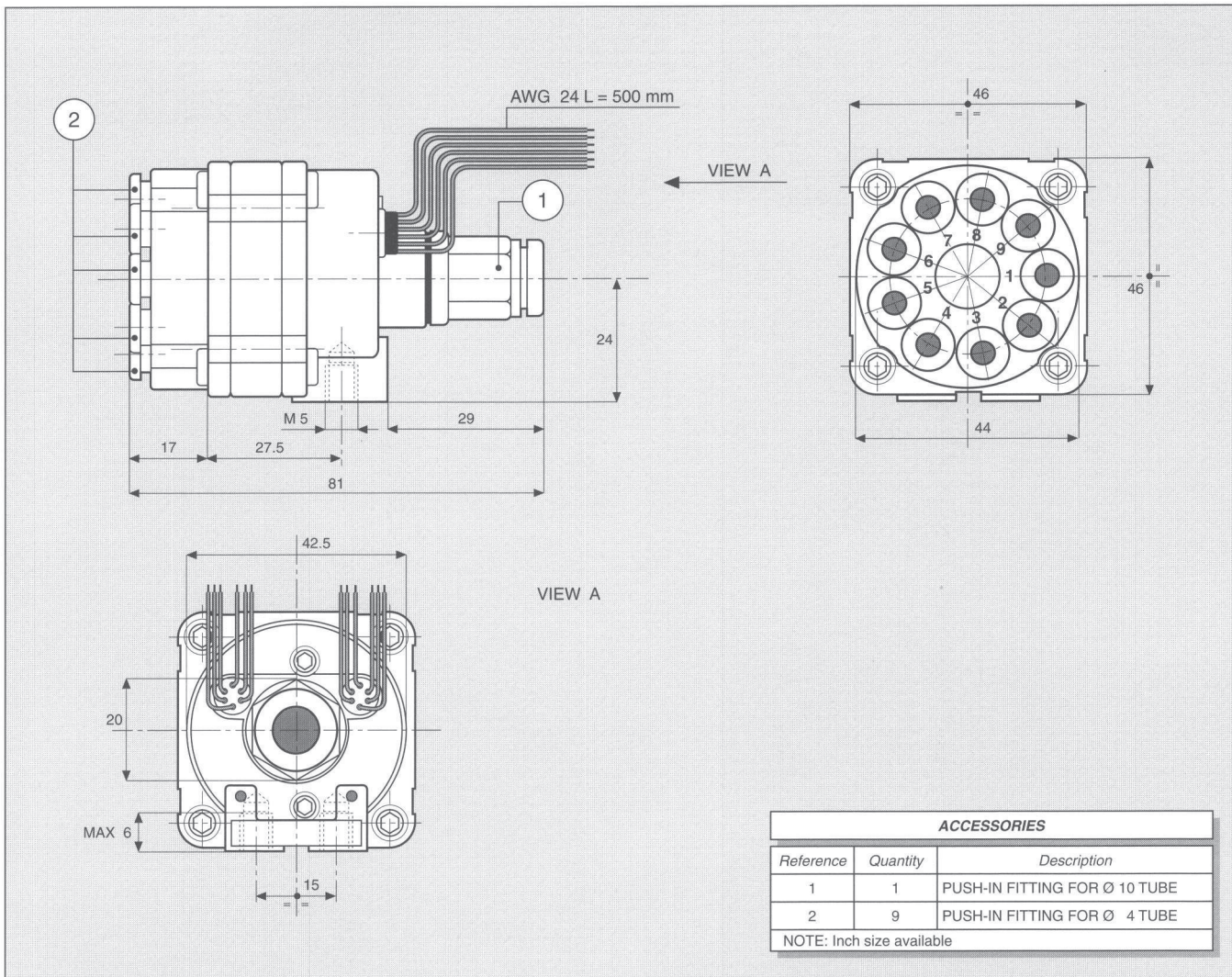
| | RANGE | MODELS |
|----------|-----------|--------|
| 0 | 2 - 8 bar | All |

• No. ELECTRICAL CONTROLS

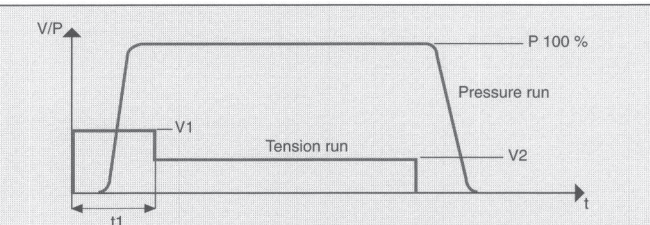
9 9 Controls

• PORT CONNECTION

0 Integrated cables IP 62 L = 500 mm



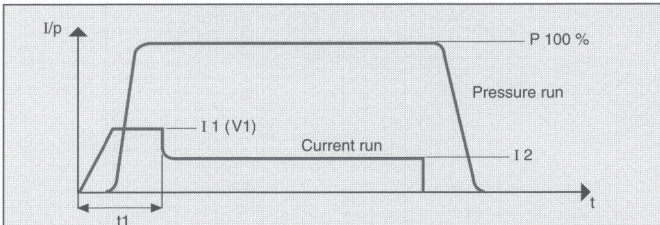
CHARACTERISTICS OF THE ELECTRICAL CONTROL - MODELS KK



N.B. KK MODELS ARE CONTROLLED IN TENSION

| | V1 = 24 VDC | t1 = 2 ms | V2 = 5 VDC |
|---|-------------|-----------|------------|
| M | V1 = 24 VDC | t1 = 2 ms | V2 = 5 VDC |
| N | V1 = 24 VDC | t1 = 3 ms | V2 = 5 VDC |
| O | V1 = 24 VDC | t1 = 3 ms | V2 = 5 VDC |

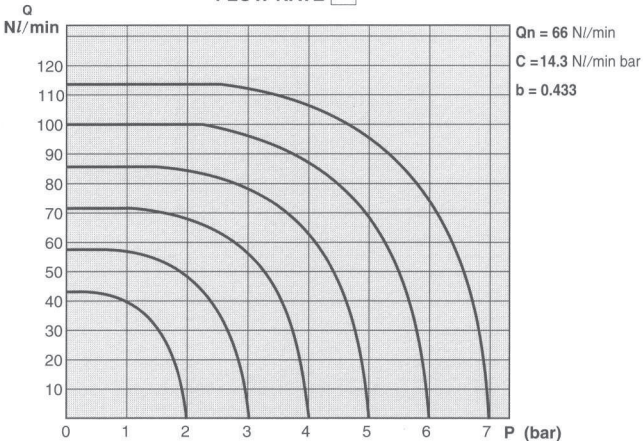
CHARACTERISTICS OF THE ELECTRICAL CONTROL - MODELS XX



N.B. XX MODELS ARE CONTROLLED IN CURRENT

| | I1 = 0.5 A | t1 = 1.5 ms | I2 = 0.2 A |
|---|--|---------------------------------|------------|
| M | I1 = 0.5 A <td>t1 = 1.5 ms <td>I2 = 0.2 A</td> </td> | t1 = 1.5 ms <td>I2 = 0.2 A</td> | I2 = 0.2 A |
| N | I1 = 0.8 A <td>t1 = 1.5 ms <td>I2 = 0.2 A</td> </td> | t1 = 1.5 ms <td>I2 = 0.2 A</td> | I2 = 0.2 A |
| O | I1 = 1.0 A <td>t1 = 1.5 ms <td>I2 = 0.3 A</td> </td> | t1 = 1.5 ms <td>I2 = 0.3 A</td> | I2 = 0.3 A |

FLOW RATE M



ELECTRICAL PORT CONNECTION

| COLOUR | 9 CONTROLS |
|--------|------------|
| BLACK | COMMON |
| BROWN | 1 |
| RED | 2 |
| ORANGE | 3 |
| YELLOW | 4 |
| GREEN | 5 |
| BLUE | 6 |
| VIOLET | 7 |
| GREY | 8 |
| WHITE | 9 |