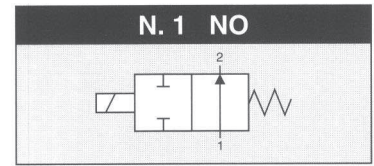
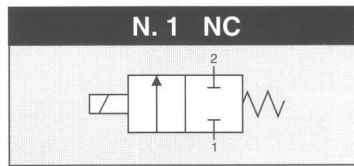


CONTROL: DIRECT PFM PWM



GENERAL CHARACTERISTICS

FLUID	Non-lubricated dry air, neutral gases (-10 + 50°C)		
FILTRATION RATING	Min 40 micron		
TEMPERATURE	- 10 + 50°C (Standard version)		
RESPONSE TIME IN OPENING	12 / 24 < 7 ms	JJ < 5 ms	XX / KK < 2 ms
RESPONSE TIME IN CLOSING	12 / 24 < 3 ms	JJ < 2 ms	XX / KK < 2 ms
MAXIMUM FREQUENCY	100 Hz	200 Hz	300 Hz
WEIGHT	35 g		
PRODUCT LIFE EXPECTANCY	≥ 500 M/s cycles		
IP RATING	IP 62		

IDENTIFICATION CODE

	H	X	7	2	1	1	0	2	C	2	24
--	---	---	---	---	---	---	---	---	---	---	----

• OUTLETS

1	1 Outlet
---	----------

• FLOW RATE (at 6 bar)

H	50 Nl / min
B	80 Nl / min
M	100 Nl / min (control tension JJ XX KK)

• VERSION

	Body ported
H	Body ported - HNBR Shutters
F	Manifold
J	Manifold - HNBR Shutters

• No. ELECTRICAL CONTROLS

1	1 Control
---	-----------

• PORT CONNECTION

0	Integrated cables IP 62 L = 500 mm
1	Integrated cables IP 62 L = 100 mm

• FUNCTION

A	NO
C	NC

• TYPE

2	2/2
---	-----

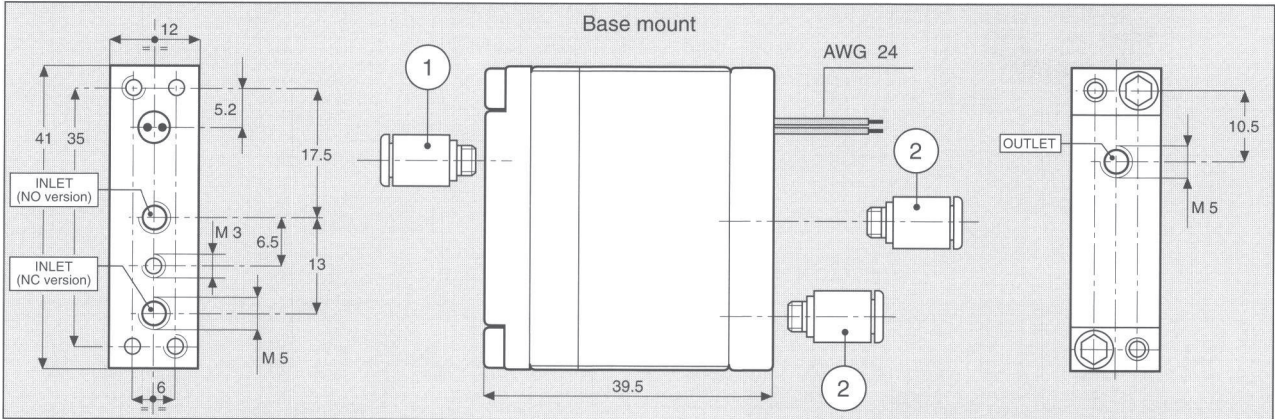
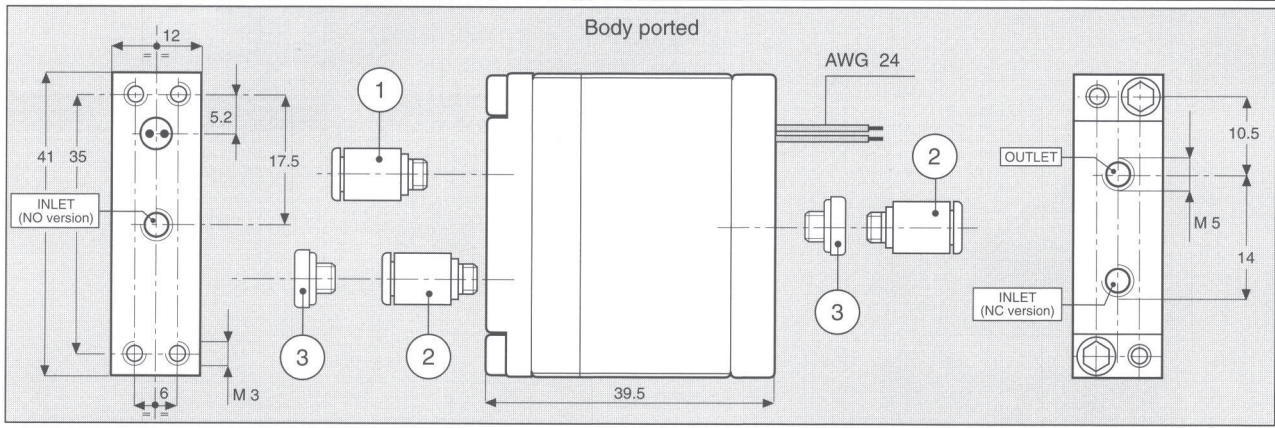
• CONTROL TENSION

12	12 VDC ± 10 %	ED 100 %	1.4 W
24	24 VDC ± 10 %	ED 100 %	1.2 W
JJ	24 VDC ± 10 %	ED 100 % ⁽¹⁾	1.9 W
XX	Speed-up in current	ED 100 % ⁽¹⁾	—
KK	Speed-up in tension	ED 100 % ⁽¹⁾	—

⁽¹⁾ Only with Electronic Driver Boards PRB or UDB

• OPERATING PRESSURE

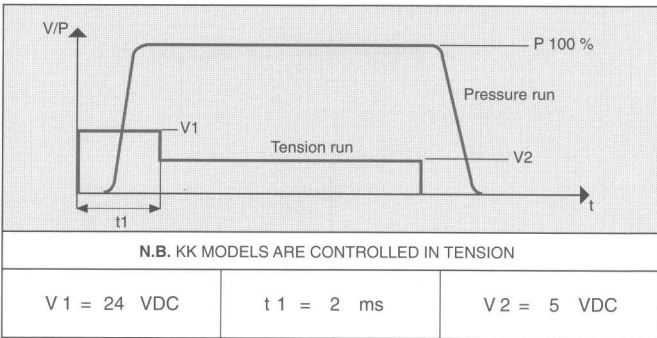
	RANGE	MODELS
1	0 - 4 bar	All
2	4 - 8 bar	All
3	0 - 8 bar XX / KK
8	2 - 6 bar	All



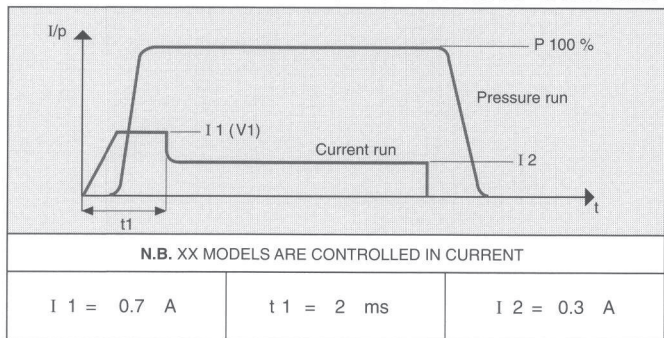
ACCESSORIES		
Reference	Quantity	Description
1	1	PUSH-IN FITTING Ø 4/6
2	1	PUSH-IN FITTING Ø 4/6
3	1	PLUG

NOTE: Inch size available

CHARACTERISTICS OF THE ELECTRICAL CONTROL - MODELS KK



CHARACTERISTICS OF THE ELECTRICAL CONTROL - MODELS XX



FLOW RATE \bar{M}

