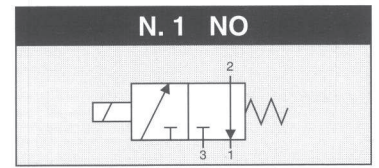
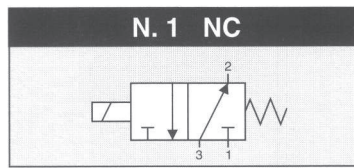


CONTROL: DIRECT



GENERAL CHARACTERISTICS

FLUID	Non-lubricated dry air, neutral gasesi (-10 + 50°C)		
FILTRATION RATING	Min 40 micron		
TEMPERATURE	- 10 + 50°C (Standard version)		
RESPONSE TIME IN OPENING	12 / 24 < 7 ms	JJ < 5 ms	XX / KK < 2 ms
RESPONSE TIME IN CLOSING	12 / 24 < 3 ms	JJ < 2 ms	XX / KK < 2 ms
MAXIMUM FREQUENCY	100 Hz	200 Hz	300 Hz
WEIGHT	35 g		
PRODUCT LIFE EXPECTANCY	≥ 500 M/s cycles		
IP RATING	IP 62		

IDENTIFICATION CODE

	H	X	7	2	1	1	0	V	A	3	24
--	---	---	---	---	---	---	---	---	---	---	----

ORIFICE

H	Ø eq = 0.9 mm
B	Ø eq = 1.3 mm
M	Ø eq = 1.5 mm (control tension JJ XX KK)

VERSION

	Body ported
H	Body ported - HNBR Shutters
F	Manifold
J	Manifold - HNBR Shutters

No. ELECTRICAL CONTROLS

1	1 Control
---	-----------

PORT CONNECTION

0	Integrated cables IP 62 L = 500 mm
1	Integrated cables IP 62 L = 100 mm

OUTLETS

1	1 Outlet
---	----------

FUNCTION

A	NO
C	NC

TYPE

3	3/2
---	-----

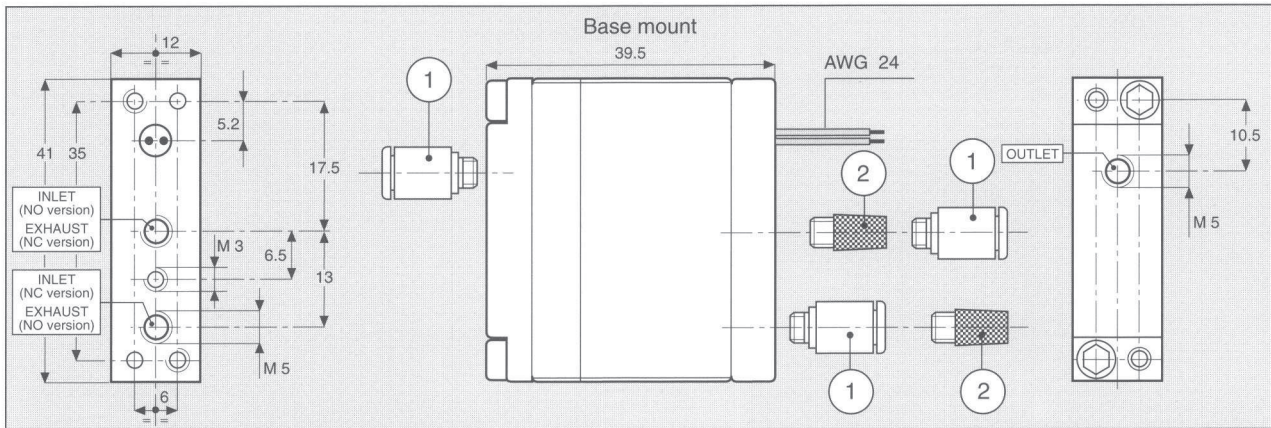
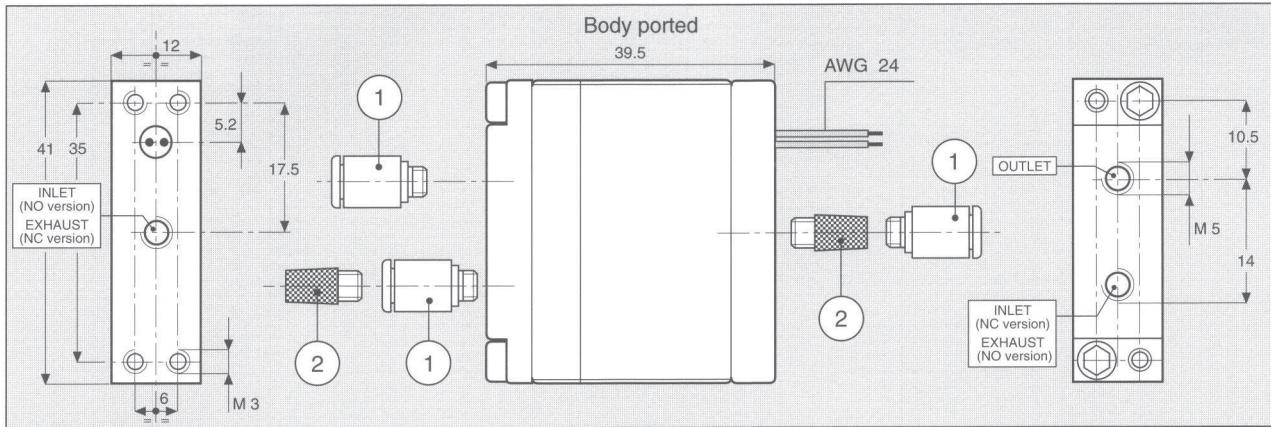
CONTROL TENSION

12	12 VDC ± 10 %	ED 100 %	1.4 W
24	24 VDC ± 10 %	ED 100 %	1.2 W
JJ	24 VDC ± 10 %	ED 100 % ⁽¹⁾	1.9 W
XX	Speed-up in current	ED 100 % ⁽¹⁾	—
KK	Speed-up in tension	ED 100 % ⁽¹⁾	—

(1) Only with Electronic Driver Boards PRB or UDB

OPERATING PRESSURE

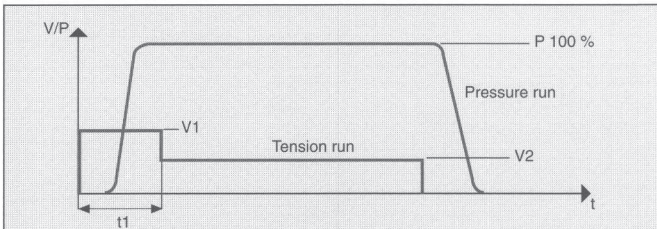
	RANGE	MODELS
V	10 ⁻⁵ Torr	All



ACCESSORIES		
Reference	Quantity	Description
1	2	VACUUM FITTING Ø 4/6
2	1	SILENCER

NOTE: Inch size available

CHARACTERISTICS OF THE ELECTRICAL CONTROL - MODELS KK



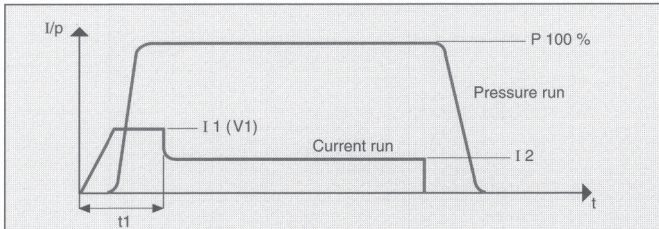
N.B. KK MODELS ARE CONTROLLED IN TENSION

V1 = 24 VDC

t1 = 2 ms

V2 = 5 VDC

CHARACTERISTICS OF THE ELECTRICAL CONTROL - MODELS XX



N.B. XX MODELS ARE CONTROLLED IN CURRENT

I1 = 0.7 A

t1 = 2 ms

I2 = 0.3 A