

CONTROL:

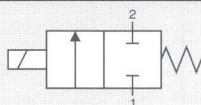
DIRECT

PFM

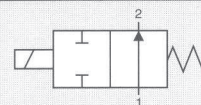
PNM

PWM

N. 1 NC



N. 1 NO



GENERAL CHARACTERISTICS

FLUID	Non-lubricated dry air, neutral gases (-10 + 50°C)		
FILTRATION RATING	Min 40 micron		
TEMPERATURE	- 10 + 50°C (Standard version)		
RESPONSE TIME IN OPENING	12 / 24 < 7 ms	JJ < 5 ms	XX / KK < 2 ms
RESPONSE TIME IN CLOSING	12 / 24 < 3 ms	JJ < 2 ms	XX / KK < 2 ms
MAXIMUM FREQUENCY	100 Hz	200 Hz	300 Hz
WEIGHT	380 g		
PRODUCT LIFE EXPECTANCY	≥ 500 M/s cycles		
IP RATING	IP 52 - IP 62 - IP 65		

IDENTIFICATION CODE

	H	X	7	5	1	1	0	2	C	2	24
--	---	---	---	---	---	---	---	---	---	---	----

**OUTLETS**

1	1 Outlet
---	----------

**FLOW RATE** (at 6 bar)

H	420 Nl/min
B	600 Nl/min
M	700 Nl/min (control tension JJ XX KK)

**VERSION**

	Standard
H	HNBR Shutters

**No. ELECTRICAL CONTROLS**

1	1 Control
2	2 Controls
4	4 Controls
8	8 Controls
C	4 Controls / Integrated diodes with common 0 V
D	8 Controls / Integrated diodes with common 0 V
F	4 Controls / Integrated diodes with common 12/24 V
G	8 Controls / Integrated diodes with common 12/24 V

**PORT CONNECTION**

0	Integrated cables IP 62 L = 500 mm
E	Presetting for Easy connection Easy IP 52 - IP 65 ( only 4 and 8 controls )

**SPECIAL PROTECTIONS**

	Only with EASY IP 65 port connection
M	Stainless steel (INOX) flanges
N	EPOX BLACK varnished flanges

**FUNCTION**

A	NO
C	NC

**TYPE**

2	2/2
---	-----

**CONTROL TENSION**

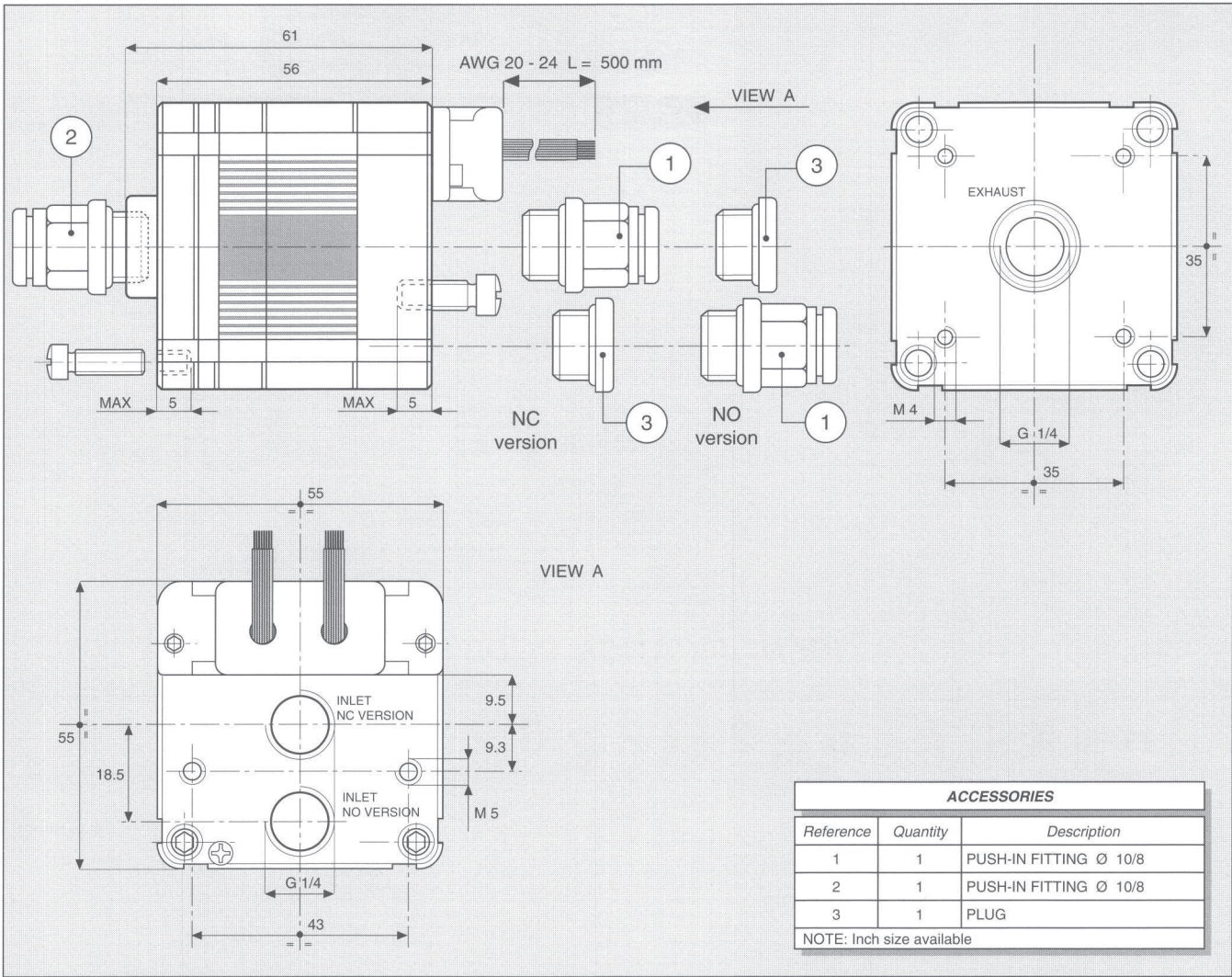
12	12 VDC ± 10 %	ED 100 %	1.4 ± 11.6W
24	24 VDC ± 10 %	ED 100 %	1.2 ± 10.0W
JJ	24 VDC ± 10 %	ED 100 % <sup>(1)</sup>	1.9 ± 15.2W
XX	Speed-up in current	ED 100 % <sup>(1)</sup>	—
KK	Speed-up in tension	ED 100 % <sup>(1)</sup>	—

(1) Only with Electronic Driver Boards PRB or UDB

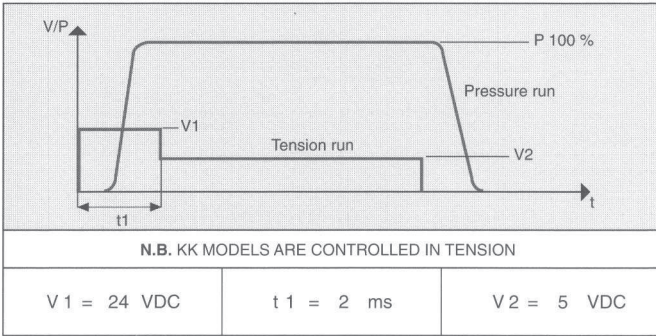
**OPERATING PRESSURE**

	RANGE	MODELS
1	0 - 4 bar	All
2	4 - 8 bar	All
3	0 - 8 bar	... XX / KK
8	2 - 6 bar	All

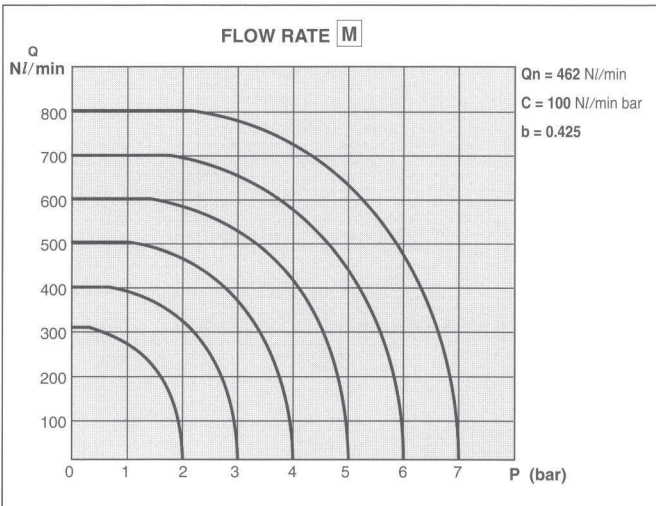
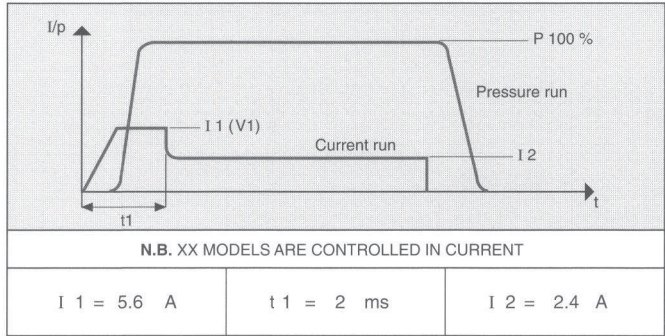




CHARACTERISTICS OF THE ELECTRICAL CONTROL - MODELS KK



CHARACTERISTICS OF THE ELECTRICAL CONTROL - MODELS XX



ELECTRICAL PORT CONNECTION

COLOUR	1 CONTROL	2 CONTROLS	4 CONTROLS	8 CONTROLS
BLACK	COMMON	COMMON	COMMON	COMMON
BROWN	—	1	1	1
RED	1	2	2	2
ORANGE	—	—	3	3
YELLOW	—	—	4	4
GREEN	—	—	—	5
BLUE	—	—	—	6
VIOLET	—	—	—	7
GREY	—	—	—	8