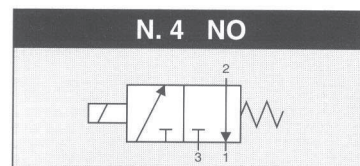
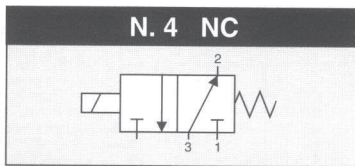


CONTROL: **DIRECT**



GENERAL CHARACTERISTICS

FLUID	Non-lubricated dry air, neutral gases (-10 + 50°C)		
FILTRATION RATING	Min 40 micron		
TEMPERATURE	- 10 + 50°C (Standard version)		
RESPONSE TIME IN OPENING	12 / 24 < 7 ms	JJ < 5 ms	XX / KK < 2 ms
RESPONSE TIME IN CLOSING	12 / 24 < 3 ms	JJ < 2 ms	XX / KK < 2 ms
MAXIMUM FREQUENCY	100 Hz	200 Hz	300 Hz
WEIGHT	340 g		
PRODUCT LIFE EXPECTANCY	≥ 500 M/s cycles		
IP RATING	IP 52 - IP 62 - IP 65		

IDENTIFICATION CODE

	H	X	7	5	4	4	E	V	C	3	24
--	---	---	---	---	---	---	---	---	---	---	----

OUTLETS

4	4 Outlets
---	-----------

ORIFICES

H	∅ eq = 1.3 mm
B	∅ eq = 1.8 mm
M	∅ eq = 2.1 mm (control tension JJ XX KK)

VERSION

	Standard
H	HNBR Shutters

No. ELECTRICAL CONTROLS

4	4 Controls
C	4 Controls / Integrated diodes with common 0 V
F	4 Controls / Integrated diodes with common 12 / 24 V

PORT CONNECTION

0	Integrated cables IP 62 L = 500 mm
E	Presetting for Easy connection IP 52 - IP 65

SPECIAL PROTECTIONS

	Only with EASY IP 65 port connection
M	Stainless steel (INOX) flanges
N	EPOX BLACK varnished flanges

FUNCTION

A	NO
C	NC

TYPE

3	3/2
---	-----

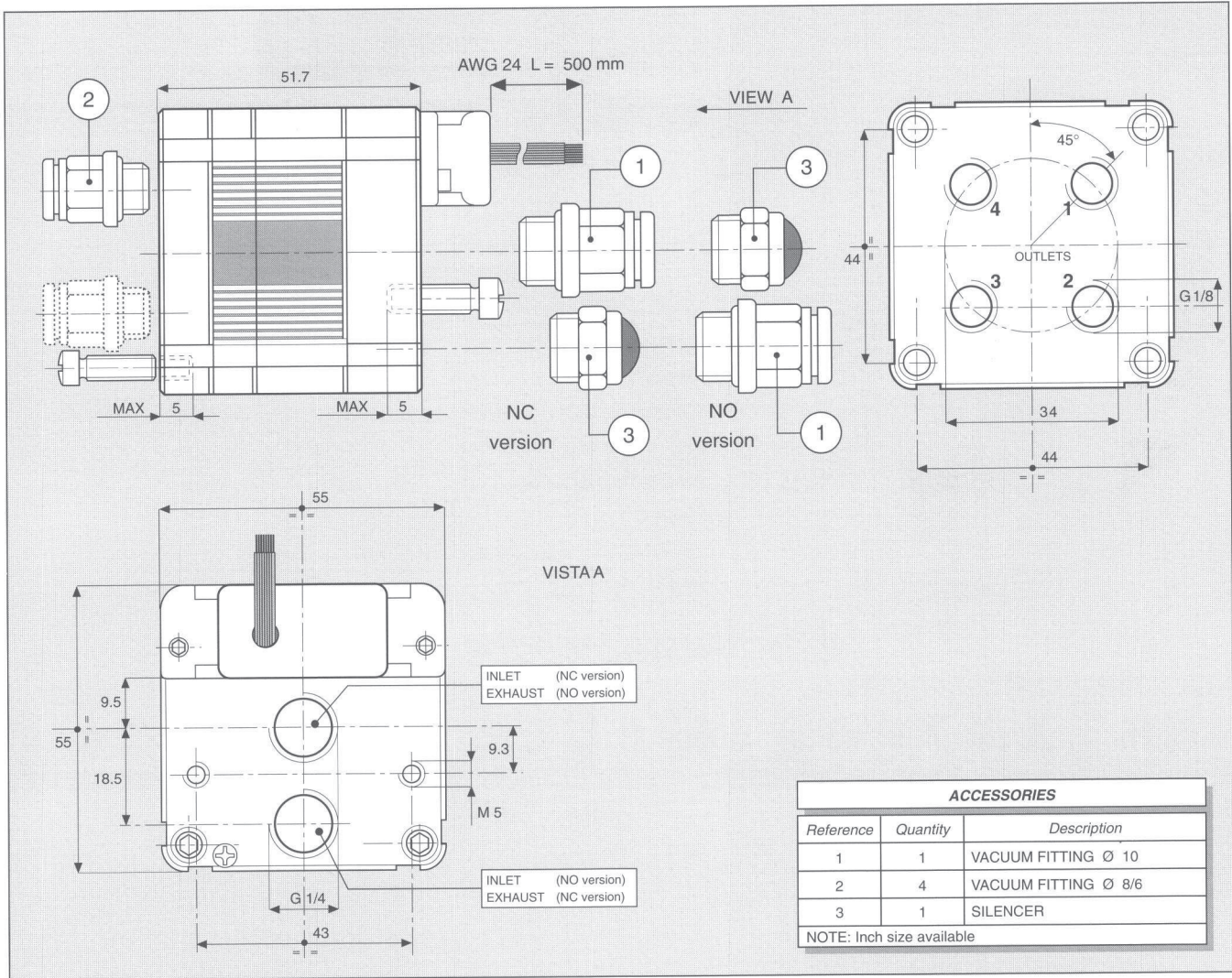
CONTROL TENSION

12	12 VDC ± 10 %	ED 100 %	2.9 W
24	24 VDC ± 10 %	ED 100 %	2.5 W
JJ	24 VDC ± 10 %	ED 100 % ⁽¹⁾	3.8 W
XX	Speed-up in current	ED 100 % ⁽¹⁾	—
KK	Speed-up in tension	ED 100 % ⁽¹⁾	—

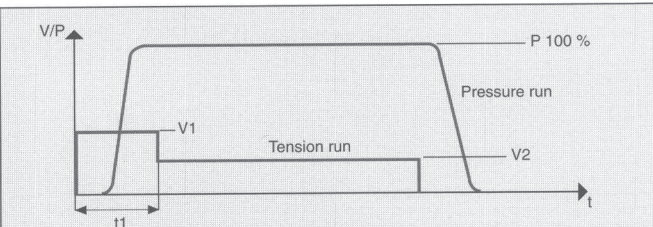
(1) Only with Electronic Driver Boards PRB or UDB

OPERATING PRESSURE

	RANGE	MODELS
V	10 ⁻⁵ Torr	All



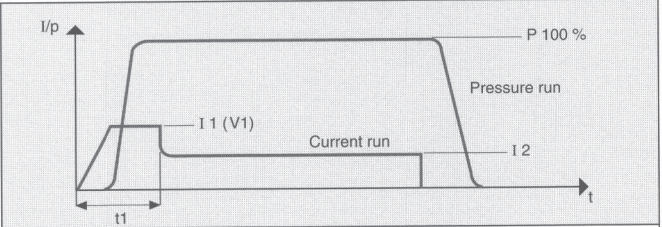
CHARACTERISTICS OF THE ELECTRICAL CONTROL - MODELS KK



N.B. KK MODELS ARE CONTROLLED IN TENSION

V1 = 24 VDC t1 = 2 ms V2 = 5 VDC

CHARACTERISTICS OF THE ELECTRICAL CONTROL - MODELS XX



N.B. XX MODELS ARE CONTROLLED IN CURRENT

I1 = 1.4 A t1 = 2 ms I2 = 0.6 A

ELECTRICAL PORT CONNECTION

COLOUR	4 CONTROL
BLACK	COMMON
BROWN	1
RED	2
ORANGE	3
YELLOW	4