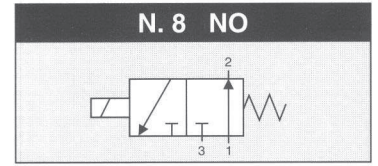
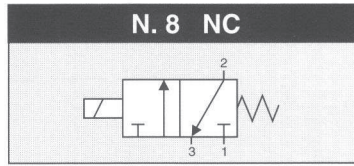


CONTROL: DIRECT



**GENERAL CHARACTERISTICS**

<b>FLUID</b>	Non-lubricated dry air, neutral gases (-10 + 50°C)		
<b>FILTRATION RATING</b>	Min 40 micron		
<b>TEMPERATURE</b>	- 10 + 50°C (Standard version)		
<b>RESPONSE TIME IN OPENING</b>	12 / 24 < 7 ms	JJ < 5 ms	XX / KK < 2 ms
<b>RESPONSE TIME IN CLOSING</b>	12 / 24 < 3 ms	JJ < 2 ms	XX / KK < 2 ms
<b>MAXIMUM FREQUENCY</b>	100 Hz	200 Hz	300 Hz
<b>WEIGHT</b>	350 g		
<b>PRODUCT LIFE EXPECTANCY</b>	≥ 500 M/s cycles		
<b>IP RATING</b>	IP 52 - IP 62 - IP 65		

**IDENTIFICATION CODE**

H X 7 5 8 8 E 2 C 3 24

**OUTLETS**

8 8 Outlet

**FLOW RATE (at 6 bar)**

H	50 NI/min
B	80 NI/min
M	100 NI/min (control tension JJ XX KK)

**VERSION**

	Standard
H	HNBR Shutters

**No. ELECTRICAL CONTROLS**

8	8 Controls
D	8 Controls / Integrated diodes with common 0 V
G	8 Controls / Integrated diodes with common 12 / 24 V

**PORT CONNECTION**

0	Integrated cables IP 62 L = 500 mm
E	Presetting for Easy connection IP 52 - IP 65

**SPECIAL PROTECTIONS**

	Only with EASY IP 65 port connection
M	Stainless steel (INOX) flanges
N	EPOX BLACK varnished flanges

**FUNCTION**

A	NO
C	NC

**TYPE**

3 3/2

**CONTROL TENSION**

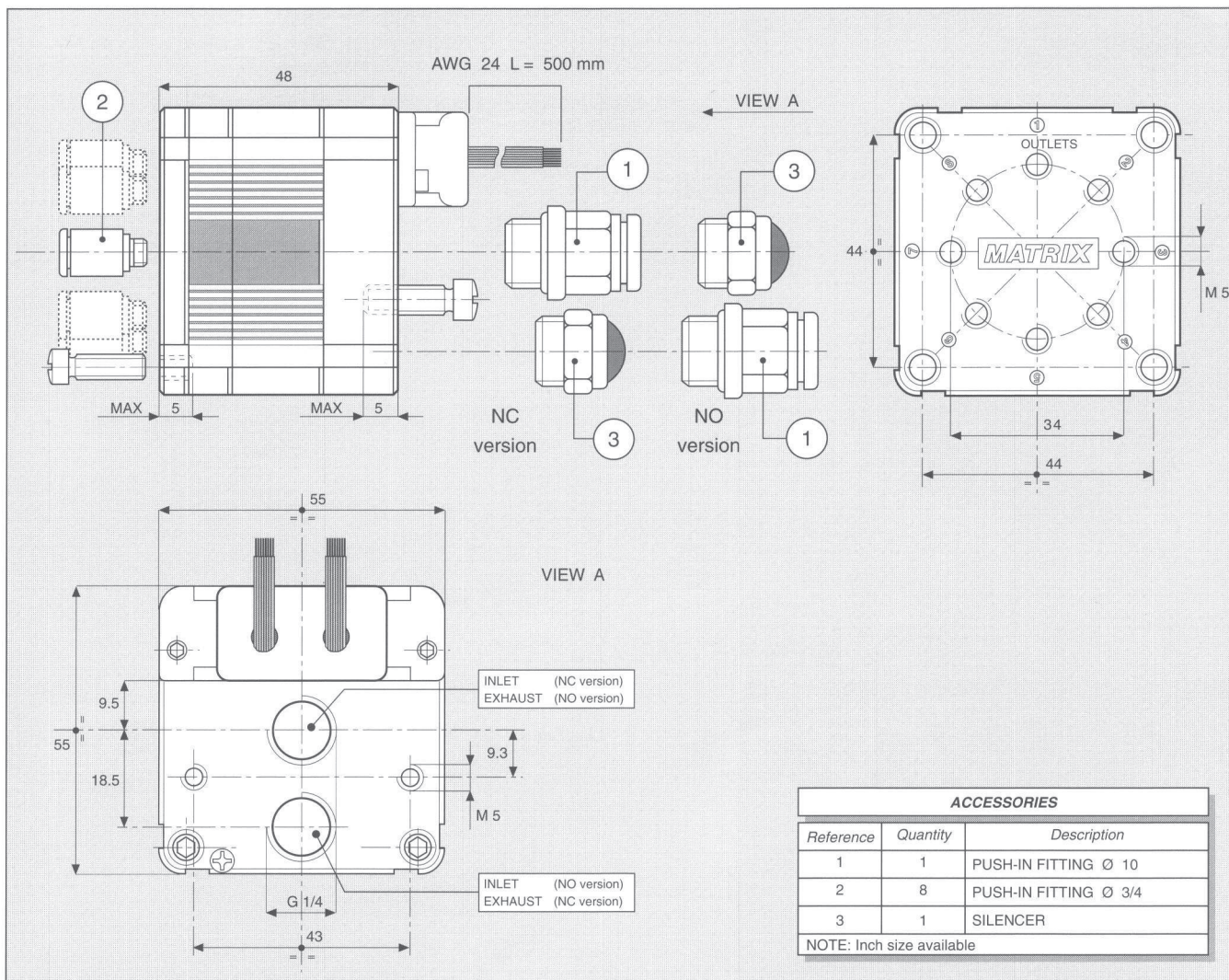
12	12 VDC ± 10 %	ED 100 %	1.4 W
24	24 VDC ± 10 %	ED 100 %	1.2 W
JJ	24 VDC ± 10 %	ED 100 % <sup>(1)</sup>	1.9 W
XX	Speed-up in current	ED 100 % <sup>(1)</sup>	—
KK	Speed-up in tension	ED 100 % <sup>(1)</sup>	—

(1) Only with Electronic Driver Boards PRB or UDB

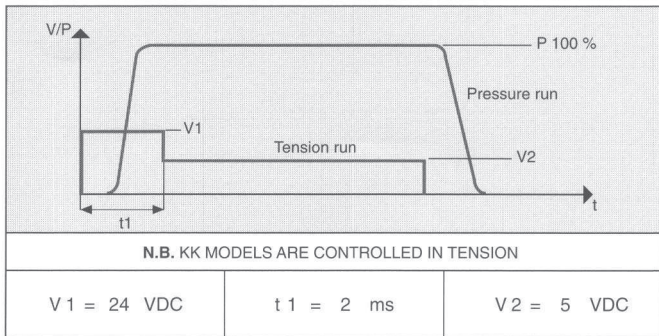
**OPERATING PRESSURE**

	RANGE	MODELS
1	0 - 4 bar	All
2	4 - 8 bar	All
3	0 - 8 bar	.... XX / KK
8	2 - 6 bar	All

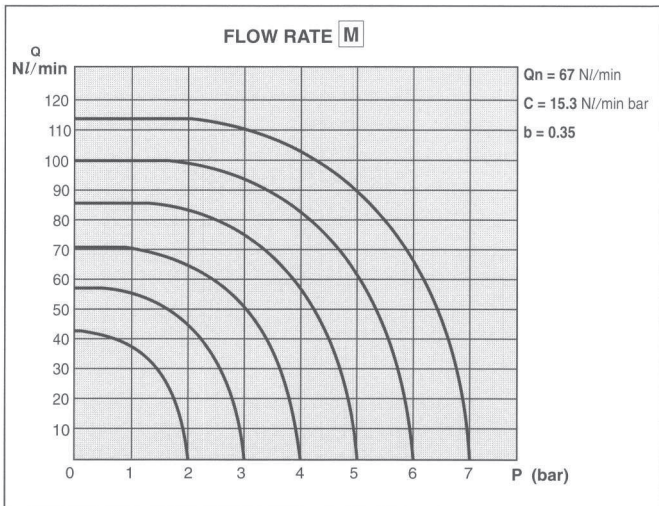
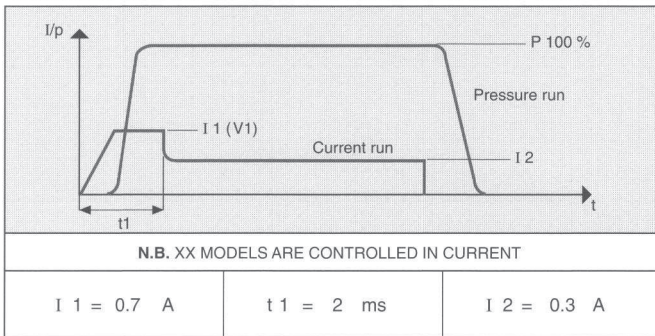




CHARACTERISTICS OF THE ELECTRICAL CONTROL - MODELS KK



CHARACTERISTICS OF THE ELECTRICAL CONTROL - MODELS XX



**ELECTRICAL PORT CONNECTION**

COLOUR	8 CONTROLS
BLACK	COMMON
BROWN	1
RED	2
ORANGE	3
YELLOW	4
GREEN	5
BLUE	6
VIOLET	7
GREY	8