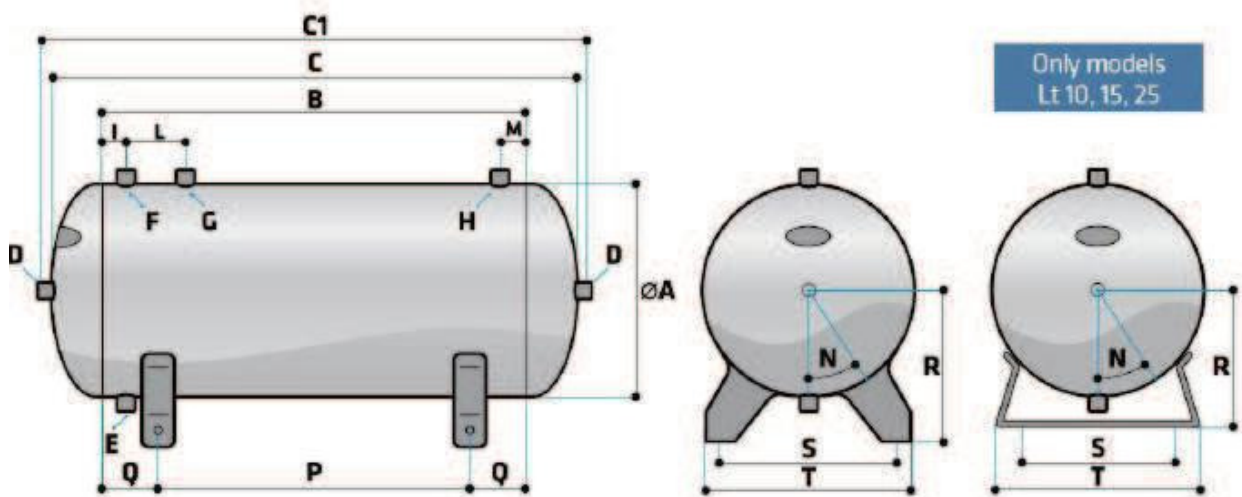


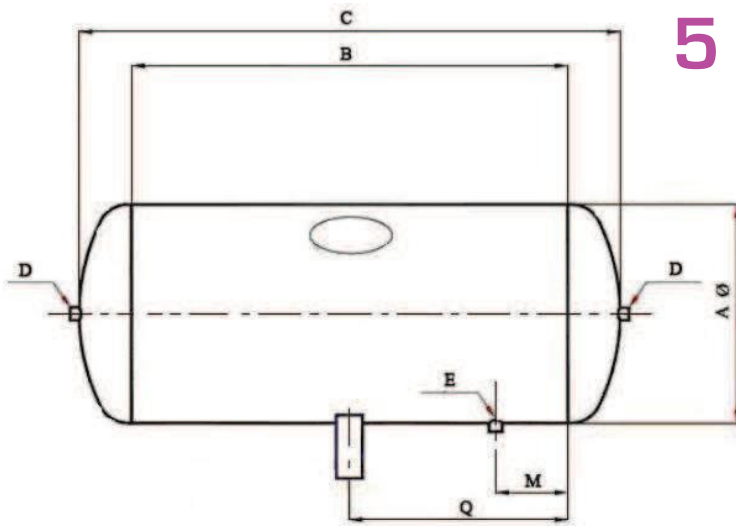
Serbatoi Orizzontali - *Horizontal Tanks*

Made in Italy

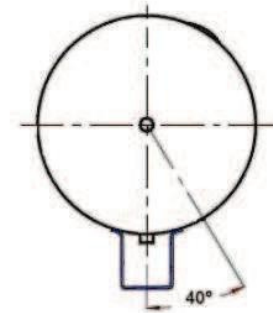


Capacità	5 - 500 lt
Pressione	11 - 15 bar (8 bar per il 5 lt)
Test	2014/29/EU
Temperatura	-10 °C +120 °C
Materiale	Acciaio al carbonio
Finitura	Grezzo - Verniciato RAL 5015 Zincato
Capacity	5 - 500 lt
Pressure	11 - 15 bar (8 bar for 5 lt)
Testing	2014/29/EU
Material	Carbon steel
Operating	-10 °C +120 °C
Finishing	Unpainted - Painted RAL 5015 Galvanized





5 LT



Lt	A mm	B mm	C mm	C1 mm	D	E	F	G	H
5*	140	240	308	-	1/2"	3/8"	-	-	-
10	170	400	512	544	1/2"	3/8"	-	-	3/8"
15	210	450	574	606	1/2"	3/8"	-	-	3/8"
25	240	420	544	576	1/2"	3/8"	-	-	3/8"
50	280	685	863	895	1/2"	3/8"	3/8"	3/4"	
100	350	875	1085	1117	1/2"	3/8"	3/8"	3/4"	1/2"
150	400	1000	1224	1256	1/2"	3/8"	3/8"	3/4"	1/2"
200	440	1100	1350	1382	1/2"	3/8"	3/8"	3/4"	1/2"
270	490	1150	1456	1488	1/2"	3/8"	3/8"	1"	1/2"
500	600	1500	1856	1898	1"	3/8"	3/8"	1"	1/2"
Lt	I mm	L mm	M mm	N	P mm	Q mm	R mm	S mm	T mm
5*	-	-	40	30°	-	120	-	-	-
10	100	-	50	36°	320	40	120	170	203
15	120	-	50	26°	310	70	150	170	203
25	100	-	50	36°	340	40	189	140	218
50	60	100	-	46°	460	112,5	202	245	302
100	60	100	60	37°	570	152,5	255	295	353
150	60	155	60	34°	735	132,5	270	340	398
200	60	155	60	31°	815	142,5	290	360	416
270	60	155	60	32°	895	127,5	330	454	512
500	60	155	60	40°	1020	240	380	470	535

* Senza certificazione - Without certification